

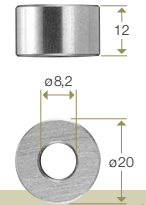
56.1 56.2



57.1



SPACER WASHER
For GreenGuide trelliswork



No. 30922-
0800

1.4404 / AISI 316



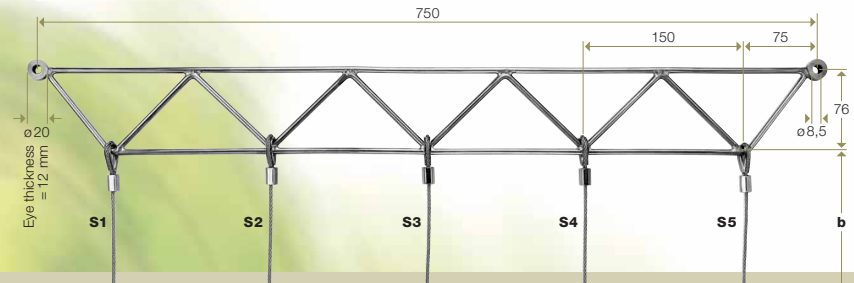
The user is responsible for choosing the **correct assembly method** and the proper rope diameter. **Functionality** is guaranteed only by Jakob rope **No. 10820-0400** with the yellow code filament. **Strength ratings** and permissible loads based on the application must be calculated by a qualified engineer (see page 21).

⊕ ⊖ Tensioning range information: both thread ends are screwed halfway into the turnbuckle body.

← ⊕ = make longer (relax)
→ ⊖ = make shorter (tension)

R Right-hand thread
L Left-hand thread

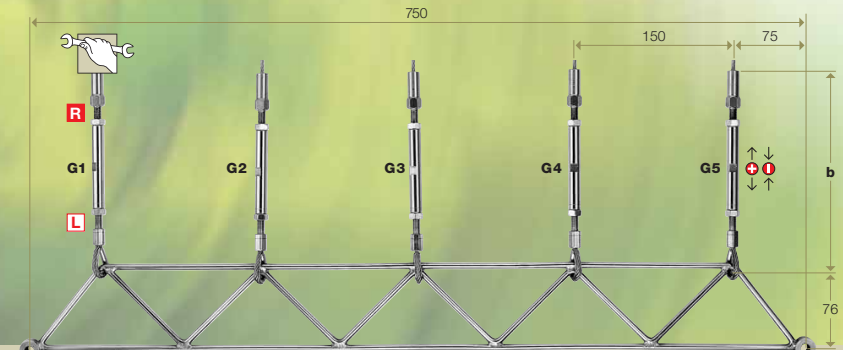
GREENGUIDE TRELLIS-
WORK WITH
SWAGED LOOPS



No. 30922-	b (rope length)	S (number of ropes)
0600-01	max. 6000	with 5 ropes (S1 / S2 / S3 / S4 / S5)
0600-03	max. 6000	with 3 ropes (S1 / S3 / S5)
0600		without ropes

1.4404 / AISI 316

GREENGUIDE TRELLIS-
WORK WITH
TENSIONER FITTINGS
For on-site assembly (without ropes)



No. 30922-	G (number of tensioner fittings)	b
0600-02	with 5 tensioner fittings (G1 / G2 / G3 / G4 / G5)	200
0600-04	with 3 tensioner fittings (G1 / G3 / G5)	Tension range: lengthen +8 shorten -24

1.4404 / AISI 316