

HORIZONTAL

Pitch with elements in a direction perpendicular to the tissue direction

WIDTHS

75 / 100 cm.

APPLICATIONS

Façade: Hanging flexible, flexible panels with perimeter frame and rigid panels with architectural concrete.

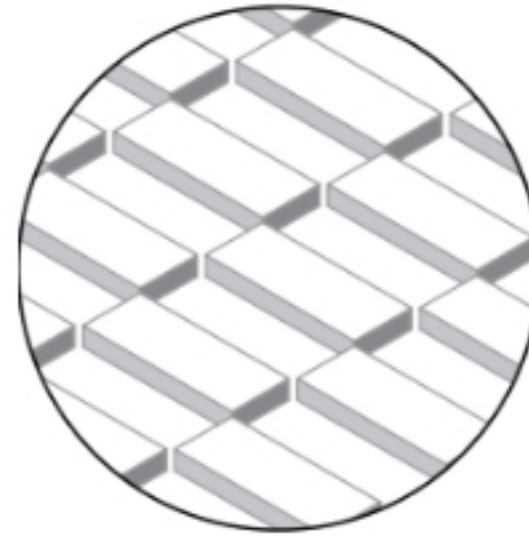
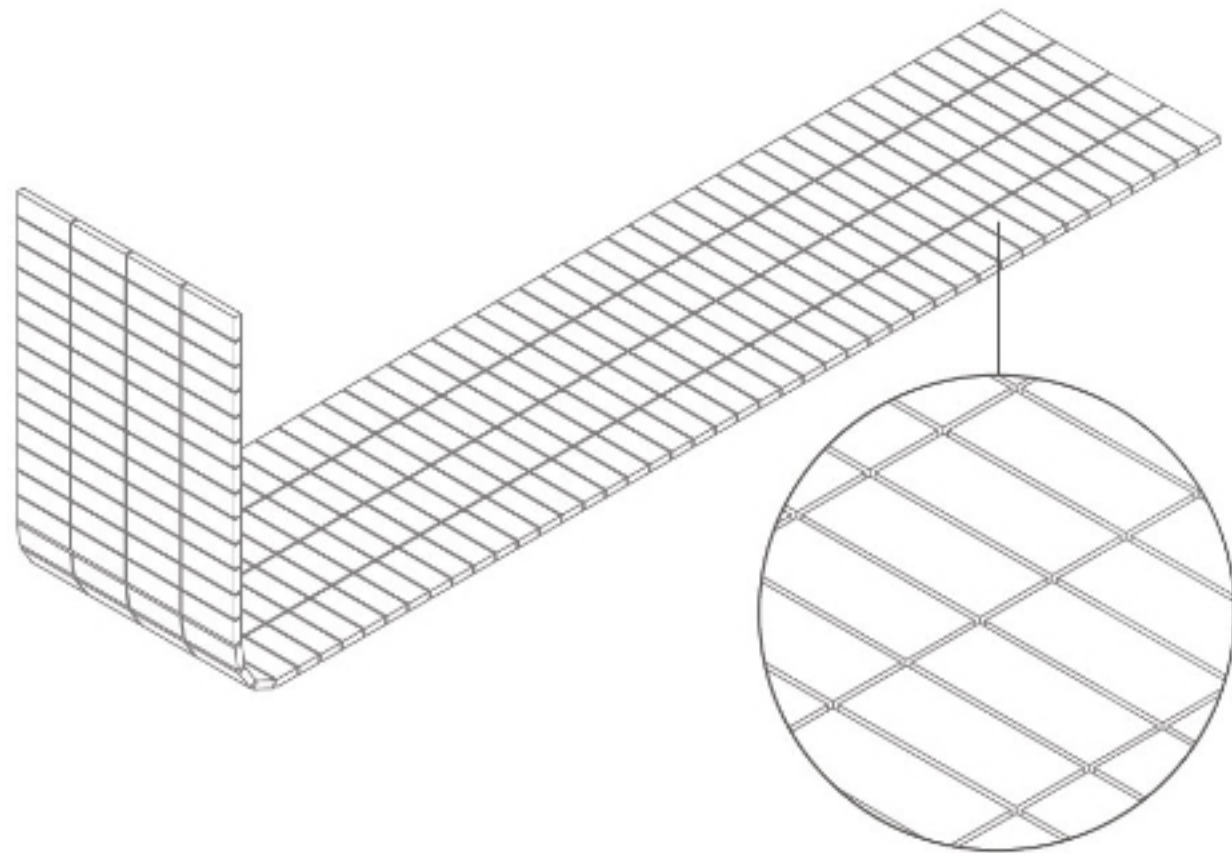
Hanging façade: Standard and lattice

Pavement: Rigid, flexible and drainage.

Roofing: Flat, curved and garden.

Pergolas: Rigid and flexible.

Structure: Laminated roofing in situ and prefabricated elements (segments for vaults and slabs).



**IT CAN BE
CONVERTED INTO
A SHED PATTERN.**

The number and order of pieces may be customized. Shed the tissue according to the range of finishing.