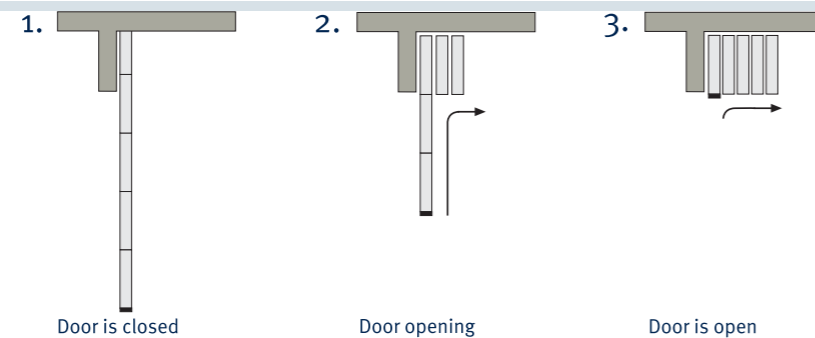


Schematic representation of the opening process



Description of Scope of Supplies and Services

Effertz Firewall® T305 Fire Protection Stacking Door, fire resistant EI 30 (T30) to EN 1634-1 German Approval No. Z-6.20-1896.

- Door leaf of fire protective elements in lightweight construction. Surface: Technical fibre with grey protective coating, similar to RAL 7035
- Safety contact strip at the bottom of the panel with electrical supply cable integrated invisibly into the guide (hence no spiral cable).
- Guides with fire inhibiting cover.
- Fire protection electric drive with spur gear, 400 V 3-phase AC. Integrated centrifugal

- brake to limit the closing speed when activated.
- Current-free closing under its own weight so that the door closes reliably even in the event of a mains power or controller failure (“gravity fail-safe”).
- Drive chain with at least six-fold safety.
- Arrestor system approved by the German construction supervisory authorities.
- Integrated 24 V battery back-up that keeps the arrestor system active and the door open for roughly 4 hours in the event of a mains power failure.
- Optical smoke detectors.
- Siren that is automatically

- triggered in the event of a fire alarm.
- Arrestor system integrated into the guides.
- 1 break glass manual emergency release (yellow housing).
- 1 key contact switch for surface installation, prepared for profile half-cylinder.
- Dead man’s control “down”

Optional:

- Connection to control and indicating equipment (CIE)
- Revolving flashing light
- Networked door release

Advantages

Effertz Firewall® T305 Fire Protection Stacking Doors offer owners outstanding advantages:

- The function test (opening and closing 10,000 times) ensures that all the quality demands are satisfied.
- General approval T30 of the German certification body up to 6,50 m in width and 6,50 m in height.
- Extreme lightweight construction.

- Hence particularly suitable also for the modernisation of existing older buildings, as only a minimum of demands are made on the statics.
- The door permits a space-saving, one-sided wall installation and requires no overhangs.
- Surface with paint or foil coating possible.
- Effertz fire protection doors comply with all the European safety regulations

- (e.g. EN 12453 and EN 12604).
- After an alarm has been triggered, Effertz fire protection doors are ready for operation again at the push of a button.
- With the Effertz fire protection door you acquire at the same time the technical know-how of a leading company in the door sector with more than 125 years’ experience.

Effertz Release System

The central control unit of any Effertz fire protection stacking door is the Effertz release system. Sophisticated electronics ensure that the fire protection doors are held open in the normal operating condition, but close reliably in the event of an alarm or fault. If a smoke detector trips or the emergency hand switch is actuated, the power supply to the retaining electromagnet is interrupted at the drive and the drive brake is released. The door closes, regulated by a centrifugal brake in the drive, under its own

weight, irrespective of any power supply (“gravity fail safe”). The safety contact strip allows the closing door to be stopped if the opening is blocked. In the event of a mains power failure, this safety device is maintained functional by a 24 V battery. The drive of the fire protection door has a siren (approx. 100 dB) that sounds if the release system is tripped. Every fire protection stacking door with general approval of the German certification body has a matching release system which is also approved in its own right.

In addition to the quality control of the stacking door, the quality of the release system is monitored separately by the VdS. Effertz fire protection stacking doors hold both approvals and thus satisfy all the safety requirements. For ambient temperatures below freezing, we recommend the installation of a control cabinet heater.

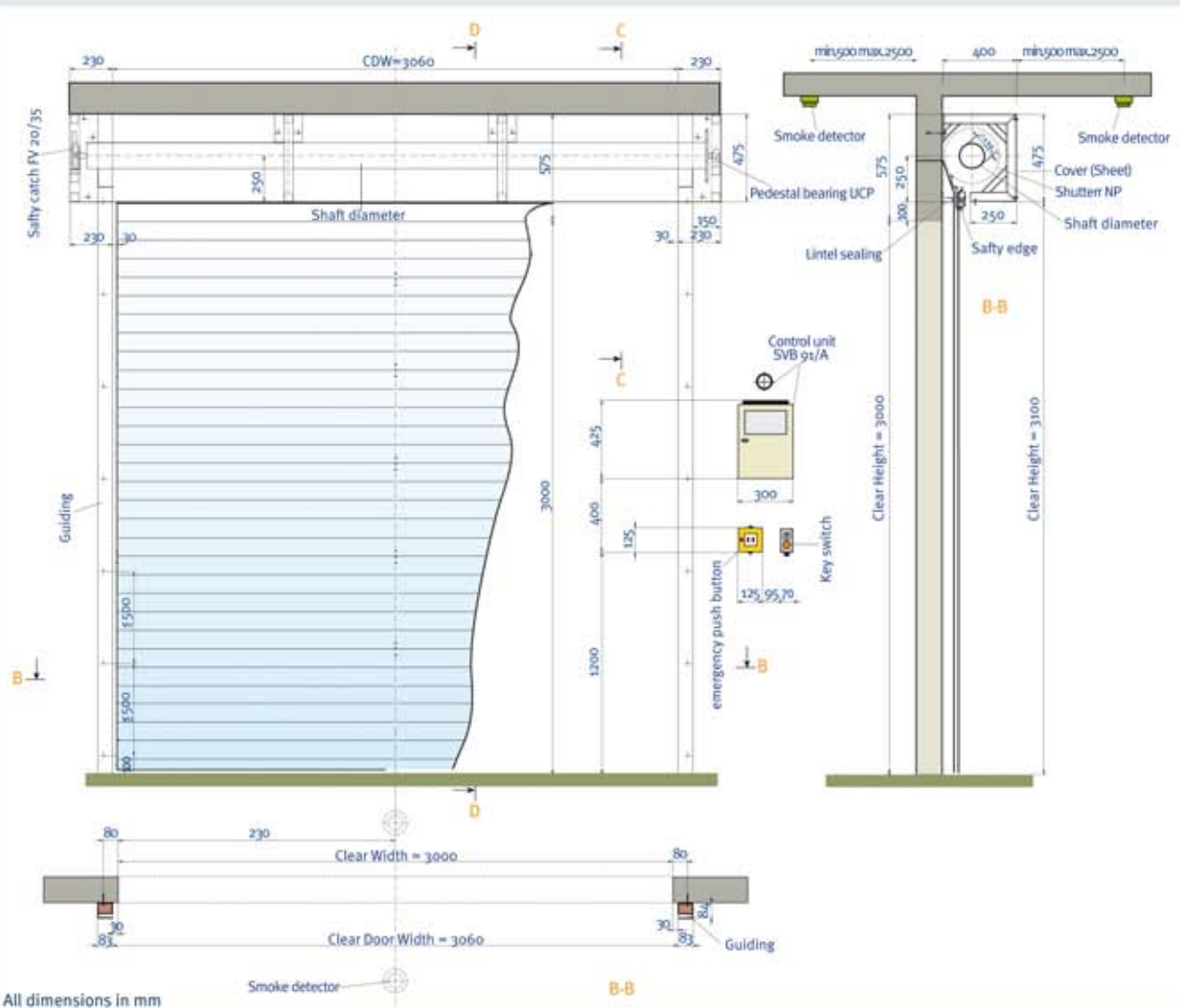
Smoke Detectors

The number of smoke detectors required is determined by the width of the door. One detector is required on each side of the opening for door widths up to 4,000 mm, and two detectors on each side for door widths up to 6,500 mm. With lintel heights of more than 1,000 mm, one or more additional smoke detectors must

be installed – at additional charge – on one side of the lintel near the underside of the lintel. The number required is again determined by the door width: One is required for widths up to 4,000 mm, two for widths up to 6,500 mm. In some cases smoke detectors can trigger false alarms. This is particularly the case where there is an extreme

development of smoke, mist or dust such as near ovens, for example. In this case, differential heat sensors are to be recommended instead of smoke detectors. These react to increases in temperature. In escape routes, only smoke detectors may be used.

Ferroflam® Fire-Resistant Rolling Door



Ferroflam® NP-Profil

NEW

All visible outer surfaces are protected against scratches and soiling until commissioning by an easily removed plastic film.

also available in

STAINLESS STEEL

Advantages

Effertz Ferroflam® ER12 fire-resistant rolling doors offer the following advantages:

- Metal rolling door that prevents unauthorised entry when closed
- Reliable flame barrier for two hours (E 120) in accordance with test to European test standard EN 1634-1.
- Durability functionality for at least 10,000 cycles to DIN 4102-18
- Function-monitored safety edge for the purpose of personal and material safety on the underside of the door
- Battery back-up power supply to ensure the fire protecting function for several hours even in the event of a power failure
- Current-free closing in the event of a fire ("gravity failsafe")
- Lower weight and space requirement than for insulated doors